



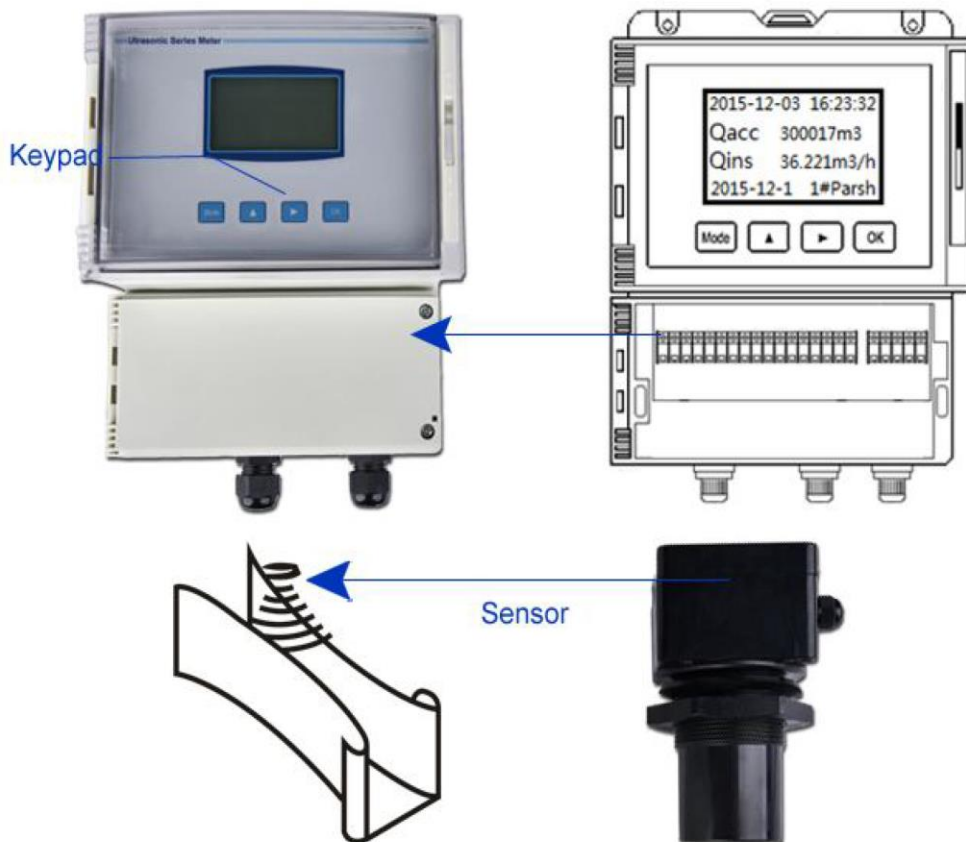
Specifications of open channel flow meter

Items		Integral
Measuring range	Instantflow	0.1L/s~120000 m3/s
	Level	0.35m~3.000m
Measuring accuracy	Flow	Triangular weir 1 ~ 5%/rectangular weir 3 ~ 5% Parshall flume 2 ~ 3%
	Level	+0.3% FS (standard condition)
Cumulative flow		4000000000m3
Dead band		0.35m
Pressure		Below 3 barometric pressure / 2000m below sea level
Meter display		Displays instantaneous flow and cumulative flow, liquidlevel, echo waveforms and historical curves
Power supply		DC18~36V / 100mA or AC100~240V / 3W
Flow recorder		Can query the cumulative flow of any time during the last 8 years
Output	Analog current	12bit, with load of less than 500 Ohm
	Digital signal	RS485/ModBus agreement
	Switching value	Switching values of 2~4 circuits
Temperature	Environment	-20℃ ~ +60℃
	Process	-20℃ ~+90℃ (specify in order where a temperature of over +60℃ is a necessity)
Interface	Electric	M20×1.5mm
	Process	G2"
Materials	Transmitter	Aluminum alloy
	Probe	ABS / ETFE / PTFE
Waterproof Level		IP67
Explosion protection class		EX d[ia]ia II BT4*

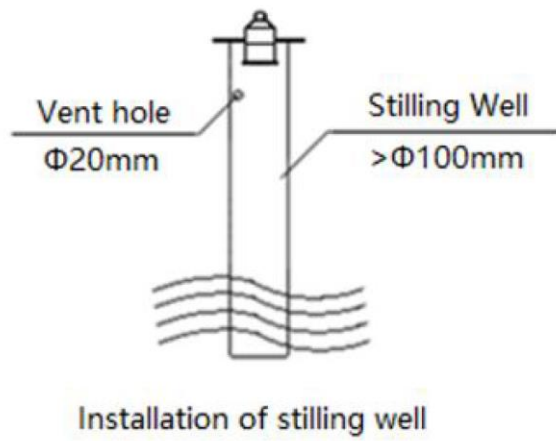
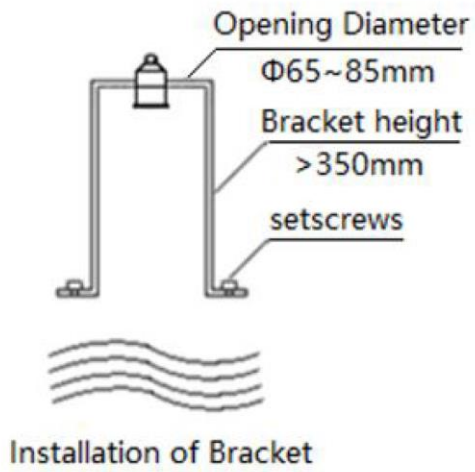
Details



Details



Installation



Working Picture



UZUMAKI SERVICES., LTD

NO 17, LEDENCHE str. City SOFIA, mail: uzumaki.services@gmail.com
mobile phone +359 890 930 606

